

# NPR

## Delivering profit to you



### MAIN SPECIFICATIONS

| Class            | NPR                     |                         |                              |                              |           |
|------------------|-------------------------|-------------------------|------------------------------|------------------------------|-----------|
| Model            | NPR85H                  | NPR85K                  | NPR85H                       | NPR85K                       | NPR85F    |
| Rear Tire        | Dual                    | Dual                    | Dual                         | Dual                         | Dual      |
| G.V.W. [Kg]      | 6,500                   | 6,500                   | 6,500                        | 6,500                        | 7,500     |
| Type             | Cab Chassis/ Flat Cargo | Cab Chassis/ Flat Cargo | Crew Cab Chassis/ Flat Cargo | Crew Cab Chassis/ Flat Cargo | Dump Body |
| Seating Capacity | 3                       | 3                       | 7                            | 5                            | 3         |

### ENGINE

| Model                  | 4JJ1-TCC                      | 4JJ1-TCC     | 4JJ1-TCC     | 4JJ1-TCC     | 4JJ1-TC      |
|------------------------|-------------------------------|--------------|--------------|--------------|--------------|
| Type                   | Direct Injection DOHC, Diesel |              |              |              |              |
| No. of cylinders       | 4                             | 4            | 4            | 4            | 4            |
| Displacement [cc]      | 2,999                         | 2,999        | 2,999        | 2,999        | 2,999        |
| Max. Output [PS/rpm]   | 130 / 2,800                   | 130 / 2,800  | 130 / 2,800  | 130 / 2,800  | 130 / 2,800  |
| Max. Torque [kg·m/rpm] | 34.0 / 1,600                  | 34.0 / 1,600 | 34.0 / 1,600 | 34.0 / 1,600 | 34.0 / 1,600 |
| Starter                | 24V - 4.0kW                   | 24V - 4.0kW  | 24V - 4.0kW  | 24V - 4.0kW  | 24V - 4.0kW  |

### MASS (kg)

| Cab Chassis / Vehicle Mass | 2397 / 2852 | 2434 / 2944 | 2560 / 2905 | 2652 / 3097 | 3287 |
|----------------------------|-------------|-------------|-------------|-------------|------|
|----------------------------|-------------|-------------|-------------|-------------|------|

### CHASSIS

| Clutch                   | Type          | Dry Single Plate                  |                                   |                                   |                                   |                                   |
|--------------------------|---------------|-----------------------------------|-----------------------------------|-----------------------------------|-----------------------------------|-----------------------------------|
|                          | Size [Mm]     | 300                               | 300                               | 300                               | 300                               | 300                               |
| Transmission             | Type          | MY-5T 5Speed                      | MY-5T 5Speed                      | MY-5T 5Speed                      | MY-5T 5Speed                      | MY-6S 6Speed                      |
|                          | Diameter [mm] | 292                               | 292                               | 292                               | 292                               | 320                               |
| Final Gear               | Gear Ratio    | 6.142                             | 6.142                             | 6.142                             | 6.142                             | 6.142                             |
|                          | Type          | Oil Brake with Power Assist       |                                   |                                   |                                   |                                   |
| Brake                    | Parking       | Center Brake                      |                                   |                                   |                                   |                                   |
|                          | Type          | Power Assist                      |                                   |                                   |                                   |                                   |
| Axle                     | Front         | F031                              | F031                              | F031                              | F031                              | F031                              |
|                          | Rear          | R050                              | R050                              | R050                              | R050                              | R066                              |
| Suspension               |               | FR MultiLeaf & RR MutliLeaf       |                                   | FR TaperLeaf & RR MutliLeaf       | FR MultiLeaf & RR MutliLeaf       |                                   |
| Frame                    |               | 850mm Straight                    | 850mm Straight                    | FR 820mm & RR 750mm               | 850mm Straight                    | 850mm Straight                    |
| Tire                     | Front & Rear  | 215/75R17.5 (OPT 7.5R-16-12)      | 215/75R17.5 (OPT 7.5R-16-12)      | 215/75R17.5 (OPT 7.5R-16-12)      | 215/75R17.5 (OPT 7.5R-16-12)      | 215/75R17.5 (OPT 7.5R-16-12)      |
|                          | Disc Wheel    | 17.5X6.00-127 (OPT 6.00GSX16-127) | 17.5X6.00-127 (OPT 6.00GSX16-127) | 17.5X6.00-127 (OPT 6.00GSX16-127) | 17.5X6.00-127 (OPT 6.00GSX16-127) | 17.5X6.00-127 (OPT 6.00GSX16-127) |
| Fuel Tank Capacity Liter |               | 100L [OPT 200L]                   | 100L [OPT 200L]                   | 100L                              | 100L                              | 100L                              |

| NPR                     |                         |                    |                          |             |             |
|-------------------------|-------------------------|--------------------|--------------------------|-------------|-------------|
| NPR81H                  | NPR81K                  | NPR75F             | NPR75K                   | NPR75K      | NPR75L      |
| Dual                    | Dual                    | Dual               | Dual                     | Dual        | Dual        |
| 6,500                   | 6,500                   | 7,500              | 7,500                    | 7,500       | 7,500       |
| Cab chassis/ Flat Cargo | Cab chassis /Flat Cargo | Cab chassis / Dump | Cab chassis / Flat Cargo | Cab chassis | Cab chassis |
| 3                       | 3                       | 3                  | 3                        | 3           | 3           |

| 4HL1-TCN                      | 4HL1-TCN    | 4HK1-TCN     | 4HK1-TCN     | 4HK1-TCN     | 4HK1-TCN     |
|-------------------------------|-------------|--------------|--------------|--------------|--------------|
| Direct Injection, OHC, Diesel |             |              |              |              |              |
| 4                             | 4           | 4            | 4            | 4            | 4            |
| 4,778                         | 4,778       | 5,193        | 5,193        | 5,193        | 5,193        |
| 130 / 2,600                   | 130 / 2,600 | 150 / 2,600  | 150 / 2,600  | 150 / 2,600  | 150 / 2,600  |
| 38 / 1,600                    | 38 / 1,600  | 41.0 / 1,500 | 41.0 / 1,500 | 41.0 / 1,500 | 41.0 / 1,500 |
| 24V - 4.0kW                   | 24V - 4.0kW | 24V - 4.0kW  | 24V - 4.0kW  | 24V - 4.0kW  | 24V - 4.0kW  |

| 2630 / 3055 | 2685 / 3170 | 2555 / 3485 | 2725 / 3210 | 2740 | 2785 |
|-------------|-------------|-------------|-------------|------|------|
|-------------|-------------|-------------|-------------|------|------|

| Dry Single Plate                  |                                   |                                   |                                   | Fluid Coupling                    | Dry single plate                  |
|-----------------------------------|-----------------------------------|-----------------------------------|-----------------------------------|-----------------------------------|-----------------------------------|
| 300                               | 300                               | 325                               | 325                               | -                                 | 325                               |
| MY-6S 6Speed                      | MY-6S 6Speed                      | MY-6S 6Speed                      | MY-6S 6Speed                      | MY-6S 6Speed NEES                 | MY-6S 6Speed                      |
| 292                               | 292                               | 320                               | 320                               | 320                               | 320                               |
| 4.777                             | 4.777                             | 4.777                             | 4.556                             | 4.556                             | 4.556                             |
| Oil Brake with Power Assist       |                                   |                                   |                                   |                                   |                                   |
| Center Brake                      |                                   |                                   |                                   |                                   |                                   |
| Power Assist                      |                                   |                                   |                                   |                                   |                                   |
| F031                              | F031                              | F031                              | F031                              | F031                              | F031                              |
| R050                              | R050                              | R066                              | R066                              | R066                              | R066                              |
| FR MultiLeaf & RR MutliLeaf       |                                   |                                   |                                   |                                   |                                   |
| 850mm Straight                    | 850mm Straight                    | 850mm Straight                    | 850mm Straight                    | 850mm Straight                    | 850mm Straight                    |
| 215/75R17.5 (OPT 7.5R-16-12)      | 215/75R17.5 (OPT 7.5R-16-12)      | 215/75R17.5 (OPT 7.5R-16-12)      | 215/75R17.5 (OPT 7.5R-16-12)      | 215/75R17.5 (OPT 7.5R-16-12)      | 215/75R17.5 (OPT 7.5R-16-12)      |
| 17.5X6.00-127 (OPT 6.00GSX16-127) | 17.5X6.00-127 (OPT 6.00GSX16-127) | 17.5X6.00-127 (OPT 6.00GSX16-127) | 17.5X6.00-127 (OPT 6.00GSX16-127) | 17.5X6.00-127 (OPT 6.00GSX16-127) | 17.5X6.00-127 (OPT 6.00GSX16-127) |
| 100L [OPT 200L]                   | 100L [OPT 200L]                   | 100L                              | 100L [OPT 200L]                   | 100L [OPT 200L]                   | 100L [OPT 200L]                   |



# NLR | NMR | NQR | NPS

Delivering  
profit to you



## MAIN SPECIFICATIONS

| Class            | NLR                      |                         | NMR                      |                               |
|------------------|--------------------------|-------------------------|--------------------------|-------------------------------|
| Model            | NLR77E                   | NMR85E                  | NMR85H                   | NMR85H                        |
| Rear Tire        | Single                   | Dual                    | Dual                     | Dual                          |
| G.V.W. [Kg]      | 4,550                    | 5,200 [OPT 5,500]       | 5,200 [OPT 5,500]        | 5,200 [OPT 5,500]             |
| Type             | Cab chassis / Flat Cargo | Cab chassis / Dump Body | Cab chassis / Flat Cargo | Crew Cab chassis / Flat Cargo |
| Seating Capacity | 3                        | 3                       | 3                        | 6                             |

## ENGINE

| Model                  | 4JH1-TC                       | 4JJ1-TC                | 4JJ1-TC      | 4JJ1-TC      |
|------------------------|-------------------------------|------------------------|--------------|--------------|
| Type                   | Direct injection, OHC, diesel | Direct Injection, DOHC |              |              |
| No. of cylinders       | 4                             | 4                      | 4            | 4            |
| Displacement [cc]      | 2,999                         | 2,999                  | 2,999        | 2,999        |
| Max. Output [PS/rpm]   | 106/3,200                     | 130 / 2,800            | 130 / 2,800  | 130 / 2,800  |
| Max. Torque [kg m/rpm] | 23.5/1,400                    | 34.0 / 1,600           | 34.0 / 1,600 | 34.0 / 1,600 |
| Starter                | 12V-2.0kW                     | 24V – 4.0KW            | 24V – 4.0KW  | 24V – 4.0KW  |

## MASS (kg)

| Cab Chassis / Vehicle Mass | 1755 / 2065 | 2070 / 2625 | 2090 / 2450 | 2365 / 2675 |
|----------------------------|-------------|-------------|-------------|-------------|
|                            |             |             |             |             |

## CHASSIS

| Clutch             |  | Type          | Dry Single Plate            |   |                             |                     |
|--------------------|--|---------------|-----------------------------|---|-----------------------------|---------------------|
|                    |  | Size [mm]     | 250                         | 300   | 300                         | 300                 |
| Transmission       |  | Type          | MSB-5S 5Speed               | MY-5T 5Speed                                    | MY-5T 5Speed                | MY-5T 5Speed        |
| Final gear         |  | Diameter [mm] | 244                         | 292   | 292                         | 292                 |
|                    |  | Gear ratio    | 5.125                       | 5.375 / 5.571                                   | 5.375                       | 5.375               |
| Brake              |  | Type          | Oil Brake with VAC          | Oil Brake with VAC 5.2t [OPT Power Assist 5.5t] |                             |                     |
|                    |  | Parking       | Center Brake                |   |                             |                     |
| Steering           |  | Type          | Power Assist                |   |                             |                     |
| Axle               |  | Front         | F029                        | F029  | F029                        | F029                |
|                    |  | Rear          | R036                        | R050/R045                                       | R050                        | R050                |
| Suspension         |  |               | FR MultiLeaf & RR MultiLeaf | FR TaperLeaf / FR Multi leaf<br>RR MultiLeaf    | FR TaperLeaf & RR MultiLeaf |                     |
| Frame              |  |               | FR 740mm & RR 700mm         | FR 740mm & RR 700mm                             | FR 740mm & RR 700mm         | FR 740mm & RR 700mm |
| Tire               |  | Front & Rear  | 205/85R16                   | 195/85R16                                       | 195/85R16                   | 205/85R16           |
| Disc wheel         |  | Front & Rear  | 16X5.5J-85                  | 16X5.5J-116.5                                   | 16X5.5J-116.5               | 16X5.5J-116.5       |
| Fuel tank capacity |  | liter         | 75L                         | 75L   | 100L                        | 75L                 |

| NQR         |             |             |             |             | NPS         |
|-------------|-------------|-------------|-------------|-------------|-------------|
| NQR75K      | NQR75L      | NQR75M      | NQR90L      | NQR90M      | NPS75H      |
| Dual        | Dual        | Dual        | Dual        | Dual        | Dual        |
| 8,500       | 8,500       | 8,500       | 9,500       | 9,500       | 6,000       |
| Cab chassis | Cab chassis | Cab chassis | Cab chassis | Cab chassis | Cab chassis |
| 3           | 3           | 3           | 3           | 3           | 3           |

| 4HK1-TCN                      | 4HK1-TCN     | 4HK1-TCN     | 4HK1-TC      | 4HK1-TC      | 4HK1-TCN     |
|-------------------------------|--------------|--------------|--------------|--------------|--------------|
| Direct injection, OHC, diesel |              |              |              |              |              |
| 4                             | 4            | 4            | 4            | 4            | 4            |
| 5,193                         | 5,193        | 5,193        | 5,193        | 5,193        | 5,193        |
| 150 / 2,600                   | 150 / 2,600  | 150 / 2,600  | 150 / 2,600  | 150 / 2,600  | 150 / 2,600  |
| 41.0 / 1,500                  | 41.0 / 1,500 | 41.0 / 1,500 | 41.0 / 1,500 | 41.0 / 1,500 | 41.0 / 1,500 |
| 24V – 4.0KW                   | 24V – 4.0KW  | 24V – 4.0KW  | 24V – 4.0KW  | 24V – 4.0KW  | 24V – 4.0KW  |

|      |      |      |      |      |      |
|------|------|------|------|------|------|
| 2715 | 2785 | 2805 | 2875 | 2945 | 2925 |
|------|------|------|------|------|------|

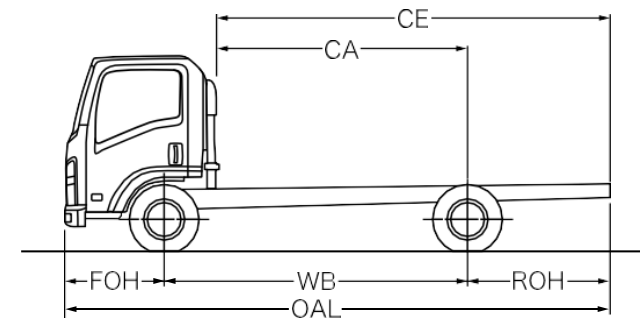
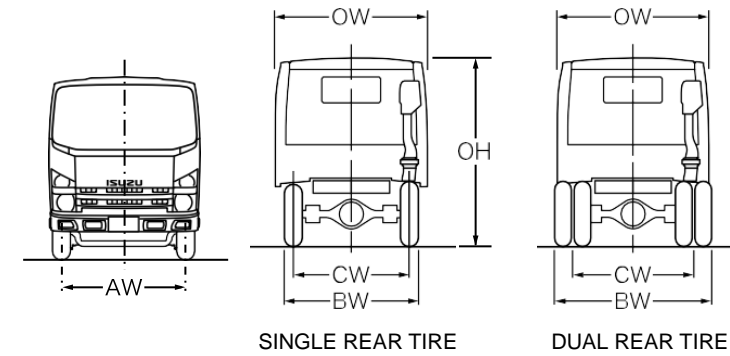
| Dry Single Plate                     |                                      |                                      |                  |                |                |
|--------------------------------------|--------------------------------------|--------------------------------------|------------------|----------------|----------------|
| 325                                  | 325                                  | 325                                  | 325              | 325            | 325            |
| MY-6S 6Speed                         | MY-6S 6Speed                         | MY-6S 6Speed                         | MY-6S 6Speed     | MY-6S 6Speed   | MY-5T 5Speed   |
| 320                                  | 320                                  | 320                                  | 320              | 320            | 320            |
| 4.777                                | 4.777                                | 5.125                                | 5.125            | 5.125          | 5.125          |
| Oil Brake with Power Assist          |                                      |                                      | Full Air Brake   |                | Oil Brake HBB  |
| Center Brake                         |                                      |                                      | Wheel Park Brake |                | Center Brake   |
| Power Assist                         |                                      |                                      |                  |                |                |
| F033                                 | F033                                 | F033                                 | F031             | F031           | Fd028          |
| R066                                 | R066                                 | R066                                 | R066             | R066           | R066           |
| FR MultiLeaf & RR MultiLeaf          |                                      |                                      |                  |                |                |
| 850mm Straight                       | 850mm Straight                       | 850mm Straight                       | 850mm Straight   | 850mm Straight | 850mm Straight |
| 215/75R17.5<br>(OPT 7.5R-16-14)      | 215/75R17.5<br>(OPT 7.5R-16-14)      | 215/75R17.5<br>(OPT 7.5R-16-14)      | 215/75R17.5      | 215/75R17.5    | 7.5R-16-10     |
| 17.5X6.00-127<br>(OPT 6.00GSX16-127) | 17.5X6.00-127<br>(OPT 6.00GSX16-127) | 17.5X6.00-127<br>(OPT 6.00GSX16-127) | 17.5X6.00-127    | 17.5X6.00-127  | 6.00GSX16-127  |
| 100L [OPT 200L]                      | 100L [OPT 200L]                      | 100L [OPT 200L]                      | 200L             | 200L           | 100L           |



# DIMENSIONS

Unit:mm

| MODEL              | NLR77E      | NLR77E     | NMR85E      | NMR85E | NMR85H      | NMR85H     | NMR85H           | NMR85H              | NPR85H      | NPR85H     | NPR85K      | NPR85K     | NPR85H           | NPR85H              | NPR85K           | NPR85K              |
|--------------------|-------------|------------|-------------|--------|-------------|------------|------------------|---------------------|-------------|------------|-------------|------------|------------------|---------------------|------------------|---------------------|
| REAR TIRE          | Single      | Single     | Dual        | Dual   | Dual        | Dual       | Dual             | Dual                | Dual        | Dual       | Dual        | Dual       | Dual             | Dual                | Dual             | Dual                |
| TYPE               | Cab chassis | Flat cargo | Cab chassis | Dump   | Cab chassis | Flat cargo | Crew Cab chassis | Crew Cab Flat cargo | Cab Chassis | Flat cargo | Cab Chassis | Flat cargo | Crew Cab Chassis | Crew Cab Flat cargo | Crew Cab Chassis | Crew Cab Flat cargo |
| OAL                | 4730        | 4805       | 4730        | 4770   | 6020        | 6105       | 6020             | 6105                | 5985        | 6069       | 6635        | 6744       | 6100             | 6185                | 6635             | 6744                |
| OW                 | 1815        | 1890       | 1855        | 1815   | 1815        | 1890       | 1815             | 1890                | 2120        | 2120       | 2120        | 2120       | 2040             | 2170                | 2120             | 2120                |
| AW                 | 1475        | 1475       | 1475        | 1475   | 1475        | 1475       | 1475             | 1475                | 1680        | 1680       | 1680        | 1680       | 1680             | 1680                | 1680             | 1680                |
| CW                 | 1395        | 1395       | 1425        | 1240   | 1425        | 1425       | 1425             | 1425                | 1650        | 1650       | 1650        | 1650       | 1525             | 1525                | 1650             | 1650                |
| BW                 | 1645        | 1645       | 1855        | 1850   | 1855        | 1855       | 1865             | 1865                | 2120        | 2120       | 2120        | 2120       | 1990             | 1990                | 2120             | 2120                |
| FOH                | 1110        | 1110       | 1110        | 1110   | 1110        | 1110       | 1110             | 1110                | 1110        | 1110       | 1110        | 1110       | 1110             | 1110                | 1110             | 1110                |
| WB                 | 2475        | 2475       | 2475        | 2475   | 3345        | 3345       | 3345             | 3345                | 3365        | 3365       | 3815        | 3815       | 3395             | 3395                | 3815             | 3815                |
| ROH (Frame end)    | 1145        | 1220       | 1145        | 1185   | 1565        | 1650       | 1565             | 1650                | 1510        | 1594       | 1710        | 1819       | 1595             | 1680                | 1710             | 1819                |
| CA                 | 2022        | 2022       | 2022        | 2022   | 2892        | 2892       | 1781             | 1781                | 2792        | 2792       | 3242        | 3242       | 1831             | 1831                | 2251             | 2251                |
| CE                 | 3167        | 3242       | 3167        | 3207   | 4457        | 4542       | 3346             | 3431                | 4302        | 4386       | 4952        | 5061       | 3426             | 3511                | 3961             | 4070                |
| OH                 | 2165        | 2165       | 2160        | 2160   | 2160        | 2160       | 2270             | 2270                | 2290        | 2285       | 2290        | 2285       | 2255             | 2255                | 2310             | 2305                |
| FR Axle to cab end | 453         | 453        | 453         | 453    | 453         | 453        | 1564             | 1564                | 573         | 573        | 573         | 573        | 1564             | 1564                | 1564             | 1564                |



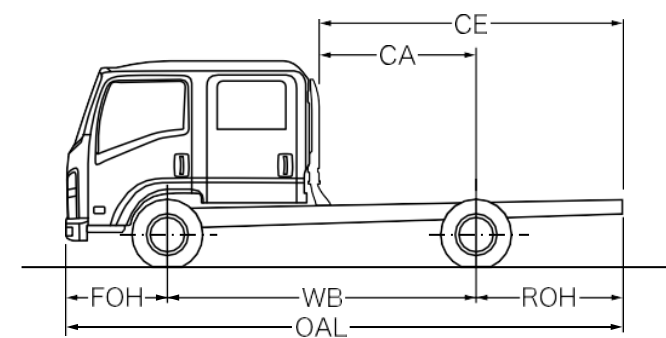
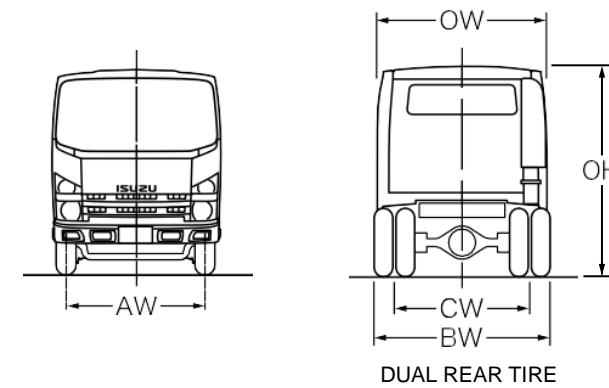
## NL / NM / NP / NQ



The photo doesn't reflect the actual dimensions of all the models

Unit:mm

| MODEL              | NPR85F (7.5t) | NPR81H      | NPR81H     | NPR81K      | NPR81K     | NPR75F      | NPR75F | NPR75K      | NPR75K     | NPR75L      | NQR75K      | NQR75L      | NQR75M      | NQR90L      | NQR90M      | NPS75H      |
|--------------------|---------------|-------------|------------|-------------|------------|-------------|--------|-------------|------------|-------------|-------------|-------------|-------------|-------------|-------------|-------------|
| REAR TIRE          | Dual          | Dual        | Dual       | Dual        | Dual       | Dual        | Dual   | Dual        | Dual       | Dual        | Dual        | Dual        | Dual        | Dual        | Dual        | Dual        |
| TYPE               | Dump body     | Cab chassis | Flat cargo | Cab chassis | Flat cargo | Cab chassis | Dump   | Cab chassis | Flat cargo | Cab chassis | Cab chassis | Cab chassis | Cab chassis | Cab chassis | Cab chassis | Cab chassis |
| OAL                | 5115          | 5985        | 6140       | 6635        | 6820       | 5385        | 5115   | 6635        | 6790       | 7355        | 6635        | 7355        | 7815        | 7355        | 7870        | 6015        |
| OW                 | 2140          | 2120        | 2170       | 2120        | 2170       | 2120        | 2140   | 2120        | 2170       | 2120        | 2120        | 2120        | 2120        | 2120        | 2120        | 2120        |
| AW                 | 1680          | 1680        | 1680       | 1680        | 1680       | 1680        | 1680   | 1680        | 1680       | 1680        | 1680        | 1680        | 1680        | 1680        | 1680        | 1675        |
| CW                 | 1650          | 1650        | 1650       | 1650        | 1650       | 1650        | 1650   | 1650        | 1650       | 1650        | 1650        | 1650        | 1650        | 1650        | 1650        | 1650        |
| BW                 | 2120          | 2120        | 2120       | 2120        | 2120       | 2120        | 2120   | 2120        | 2120       | 2120        | 2120        | 2120        | 2120        | 2120        | 2120        | 2120        |
| FOH                | 1110          | 1110        | 1110       | 1110        | 1110       | 1110        | 1110   | 1110        | 1110       | 1110        | 1110        | 1110        | 1110        | 1110        | 1110        | 1080        |
| WB                 | 2765          | 3365        | 3365       | 3815        | 3815       | 2765        | 2765   | 3815        | 3815       | 4175        | 3815        | 4175        | 4475        | 4175        | 4475        | 3395        |
| ROH (Frame end)    | 1240          | 1510        | 1665       | 1710        | 1895       | 1510        | 1240   | 1710        | 1865       | 2070        | 1710        | 2070        | 2230        | 2070        | 2285        | 1540        |
| CA                 | 2228          | 2792        | 2792       | 3242        | 3242       | 2192        | 2192   | 3242        | 3242       | 3602        | 3242        | 3602        | 3902        | 3602        | 3902        | 2792        |
| CE                 | 3468          | 4302        | 4457       | 4952        | 5137       | 3702        | 3432   | 4952        | 5107       | 5672        | 4952        | 5672        | 6132        | 5672        | 6187        | 4332        |
| OH                 | 2295          | 2265        | 2265       | 2265        | 2265       | 2265        | 2265   | 2265        | 2265       | 2265        | 2255        | 2255        | 2255        | 2245        | 2245        | 2455        |
| FR Axle to cab end | 537           | 573         | 573        | 573         | 573        | 573         | 573    | 573         | 573        | 573         | 573         | 573         | 573         | 573         | 573         | 603         |



## NM / NP Crew cab



The photo doesn't reflect the actual dimensions of all the models



● : Standard equipment    ◎ : Option equipment    -- : Not Available

## OPTIONS

| MODEL | NLR77 | NMR85 | NMR85 Crew Cab | NPR85 (6.5t) | NPR85 (6.5t) Crew Cab |
|-------|-------|-------|----------------|--------------|-----------------------|
|-------|-------|-------|----------------|--------------|-----------------------|

## INTERIOR

|   |    |    |    |   |   |
|---|----|----|----|---|---|
| 2-speaker System (※)  | ●  | ●  | ●  | ● | ● |
| USB Port  | -- | -- | -- | ● | ● |
| Seat Belt (Driver / Co-driver : With ELR 3-points, Center : 2-points) | ●  | ●  | ●  | ● | ● |
| Ashtray (Driver/Assist)   | ◎  | ◎  | ◎  | ◎ | ◎ |
| Heater / Defroster  | ●  | ●  | ●  | ● | ● |
| Air Conditioner   | ●  | ●  | ●  | ● | ● |
| Tachometer  | ●  | ●  | ●  | ● | ● |
| Speedometer (Km / H)  | ●  | ●  | ●  | ● | ● |
| Power Window / Power Door Locks                                       | ◎  | ◎  | ◎  | ● | ● |
| Power Steering  | ●  | ●  | ●  | ● | ● |
| Tilt And Telescopic Steering  | ●  | ●  | ●  | ● | ● |
| Roof Header Tray (Driver)   | ●  | ●  | ●  | ● | ● |
| Cup Holder  | ●  | ●  | ●  | ● | ● |
| Assist Grip   | ●  | ●  | ●  | ● | ● |
| Sunvisor (Driver / Co-driver)   | ●  | ●  | ●  | ● | ● |

## EXTERIOR

|                |   |   |   |   |   |
|----------------|---|---|---|---|---|
| Rear Fog lamp  | ● | ● | ● | ● | ● |
| Front fog lamp | ◎ | ◎ | ◎ | ◎ | ◎ |

## FUNCTION

|                          |    |    |    |   |   |
|--------------------------|----|----|----|---|---|
| Pre-fuel Filter          | ●  | ●  | ●  | ● | ● |
| Fuel Tank Lock           | ●  | ●  | ●  | ● | ● |
| Wiper-intermittent Type  | ◎  | ◎  | ◎  | ◎ | ◎ |
| Exhaust Brake            | ●  | ●  | ●  | ● | ● |
| FMS Harness              | -- | -- | -- | ● | ● |
| PTO (Power-take-off)     | -- | -- | -- | ◎ | ◎ |
| Reversing Warning Buzzer | ●  | ●  | ●  | ● | ● |
| Pre-Air Cleaner          | ●  | ●  | ●  | ● | ● |
| Cab Tilt Alarm           | -- | -- | -- | ● | ● |
| Generator 24V90A         | ◎  | ◎  | ◎  | ◎ | ◎ |

| NPR85 (7.5t) | NPR81 (6.5t) | NPR75 | NQR90 | NPS75 |
|--------------|--------------|-------|-------|-------|
|--------------|--------------|-------|-------|-------|

|    |    |    |    |    |
|----|----|----|----|----|
| ●  | ●  | ●  | ●  | ●  |
| ●  | -- | -- | -- | -- |
| ●  | ●  | ●  | ●  | ●  |
| ◎  | ◎  | ◎  | ◎  | ◎  |
| ●  | ●  | ●  | ●  | ●  |
| ●  | ●  | ●  | ●  | ●  |
| ●  | ●  | ●  | ●  | ●  |
| ●  | ●  | ●  | ●  | ●  |
| ●  | ●  | ●  | ●  | ●  |
| ●  | ●  | ●  | ●  | ◎  |
| -- | -- | -- | -- | -- |
| ●  | ●  | ●  | ●  | ●  |
| ●  | ●  | ●  | ●  | ●  |
| ●  | ●  | ●  | ●  | ●  |
| ●  | ●  | ●  | ●  | ●  |
| ●  | ●  | ●  | ●  | ●  |

(※) check with your local DLR "Radio system"

|   |   |   |   |   |
|---|---|---|---|---|
| ● | ● | ● | ● | ● |
| ◎ | ◎ | ◎ | ◎ | ◎ |

|   |    |    |    |    |
|---|----|----|----|----|
| ● | ●  | ●  | ●  | ●  |
| ● | ●  | ●  | ●  | ●  |
| ◎ | ◎  | ◎  | ◎  | ◎  |
| ● | ●  | ●  | ●  | ●  |
| ● | -- | -- | -- | -- |
| ◎ | ◎  | ◎  | ◎  | ◎  |
| ● | ●  | ●  | ●  | ●  |
| ● | ●  | ●  | ●  | ●  |
| ● | -- | -- | -- | -- |
| ◎ | ◎  | ◎  | ◎  | ◎  |

