

# FRR & FVR

Delivering profit to you

## MAIN SPECIFICATIONS

Class	FRR90M	FRR90M	FRR90N	FRR90Q	FRR34N
Model	FRR90M22	FRR90M2N	FRR90N22	FRR90Q22	FRR34N22
Suffix Code	FRR90SL-MASN	FRR90SL-MASN	FRR90SL-NCSN	FRR90SL-QASN	FRR34SL-NCSA
Rear Tire	Dual	Dual	Dual	Dual	Dual
G.V.W. [Kg]	11,000	11,000	11,000	11,000	11,000
Type	Cab Chassis	Cab Chassis	Cab Chassis	Cab Chassis	Cab Chassis
Seating Capacity	3	3	3	3	3

## ENGINE

Model	4HK1-TCN	4HK1-TCN	4HK1-TCN	4HK1-TCN	6HK1-TCN
Type	Direct Injection, OHC, Diesel				
Emission Level	Euro II	Euro III	Euro II	Euro II	Euro II
No. of cylinders	4	4	4	4	6
Displacement [cc]	5,193	5,193	5,193	5,193	7,790
Max. Output [PS/rpm]	190/2600	190/2600	190/2600	190/2600	190/2600
Max. Torque [Kgfm/rpm]	52/1600	52/1600	52/1600	52/1600	52/1600
Starter	4.5kW	4.5kW	4.5kW	4.5kW	5.0kW

## MASS (kg)

Cab Chassis / Vehicle Mass	3325	3395	3390	3,395	3615

## CHASSIS

Clutch	Type	Dry Single Plate				
	Size [Mm]	14	14	14	14	15
Transmission	Type	MZZ6W	MZZ6N (NEES AMT)	MZZ6W	MZZ6W	MZW6P
	Diameter [mm]	14.5	14.5	14.5	14.5	14.5
Final Gear	Gear Ratio	5.125	5.125	5.125	5.125	4.333
	Type	AOH	AOH	AOH	AOH	AOH
Brake	Parking	Center Brake				
	Type	Power Assist				
Axle	Front	F036	F036	F036	F036	F036
	Rear	R077	R077	R077	R077	R077
Suspension		FR Multi Leaf Suspension & RR Multi Leaf Suspension				
Frame		840mm Straight	840mm Straight	840mm Straight	840mm Straight	840mm Straight
Tire	Front & Rear	235/75R17.5-132/130				
	Disc Wheel	6STUD 17.5X6.75(137-10)				
Fuel Tank Capacity [Liter]		200L	200L	200L	200L	200L

FVR34L	FVR34P	FVR34Q	FVR34L	FVR34Q
FVR34L22	FVR34P22	FVR34Q22	FVR34L24	FVR34Q24
FVR34UL-LDSN	FVR34UL-PDSN	FVR34UL-QDSN	FVR34UL-LDSN	FVR34UL-QDSN
Dual	Dual	Dual	Dual	Dual
16,000	16,000	16,000	18,000	18,000
Cab Chassis	Cab Chassis	Cab Chassis	Cab Chassis	Cab Chassis
3	3	3	3	3

6HK1-TCN	6HK1-TCN	6HK1-TCN	6HK1-TCN	6HK1-TCN
Direct Injection, OHC, Diesel				
Euro II	Euro II	Euro II	Euro II	Euro II
6	6	6	6	6
7,790	7,790	7,790	7,790	7,790
240/2400	240/2400	240/2400	240/2400	240/2400
72/1450	72/1450	72/1450	72/1450	72/1450
5.0kW	5.0kW	5.0kW	5.0kW	5.0kW

4,970	5010	5090	5280	5450

Dry Single Plate				
15	15	15	15	15
Transmission	MZW6P	MZW6P	MZW6P	MZW6P
	16.5	16.5	16.5	17.5
Final Gear	5.571	5.571	5.571	6.143
	Full Air	Full Air	Full Air	Full Air
Wheel Park				
Power Assist				
Axle	F063	F063	F063	F063
	R105	R105	R105	R130
FR Multi Leaf Suspension & RR Multi Leaf Suspension				
Frame		850mm Straight	850mm Straight	850mm Straight
Tire	Front & Rear	10.00R20-16PR		
	Disc Wheel	10STUD 20X7.00T		
Fuel Tank Capacity [Liter]		200L	200L	200L



# FSR / FVZ / FTS

Delivering  
profit to you



## MAIN SPECIFICATIONS

Class	FSR34N	FVZ34P	FVZ34R
Model	<b>FSR34N22</b>	<b>FVZ34P24</b>	<b>FVZ34R24</b>
Suffix Code	FSR34SL-NCSN	FVZ34UL-PDSS	FVZ34UL-RDSS
Rear Tire	Dual	Dual	Dual
G.V.W. [Kg]	13,500	26,500	26,500
Type	Cab Chassis	Cab Chassis	Cab Chassis
Seating Capacity	3	3	3

## ENGINE

Model	6HK1-TCN	6HK1-TCS	6HK1-TCS
Type	Direct Injection, OHC, Diesel		
Emission Level	Euro II	Euro II	Euro II
No. of cylinders	6	6	6
Displacement [cc]	7,790	7,790	7,790
Max. Output [PS/rpm]	240/2400	280/2400	280/2400
Max. Torque [Kgf·m/rpm]	72/1450	90/1450	90/1450
Starter	5.0kW	5.0kW	5.0kW

## MASS (kg)

Cab Chassis / Vehicle Mass	4,005	7,100	7,230
----------------------------	-------	-------	-------

## CHASSIS

Clutch	Type	Dry Single Plate		
	Size [Mm]	15	15	15
Transmission	Type	MZW6P	ZF9S1110 TO	ZF9S1110 TO
	Diameter [mm]	14.5	17.5	17.5
Final Gear	Gear Ratio	4.555	6.429	6.429
	Type	AOH	Full Air	Full Air
Brake	Parking	Wheel park	Wheel park	
	Type	Power Assist		
Axle	Front	F050	F063	F063
	Rear	R090	R210	R210
Suspension	FR Multi Leaf Suspension & RR Multi Leaf Suspension			
Frame	840mm Straight	850mm Straight	850mm Straight	
Tire	Front & Rear	265/70R19.5-140/138	295/80R22.5-152/148	
Disc Wheel	Front & Rear	8STUD 19.5X6.75(147-12)	10STUD 22.5X8.25(165-13)	
Fuel Tank Capacity [Liter]	200L	200L	200L	

FVZ34P	FVZ34R	FTS34L
<b>FVZ34P25</b>	<b>FVZ34R25</b>	<b>FTS34L22</b>
FVZ34UL-PDSS	FVZ34UL-RDSS	FTS34SL-LDSN
Dual	Dual	Dual
26,500	26,500	13,000
Cab Chassis	Cab Chassis	Cab Chassis
3	3	3

6HK1-TCS	6HK1-TCS	6HK1-TCN
Direct Injection, OHC, Diesel		
Euro III	Euro III	Euro II
6	6	6
7,790	7,790	7,790
300/2400	300/2400	240/2400
100/1450	100/1450	72/1450
5.0kW	5.0kW	5.0kW

7,100	7,230	5,130
-------	-------	-------

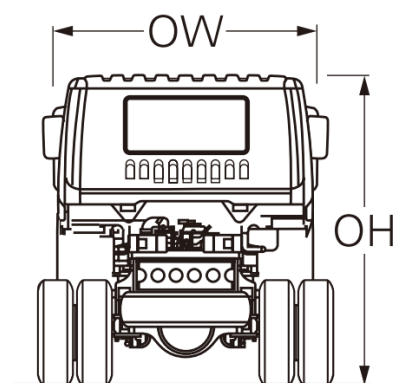
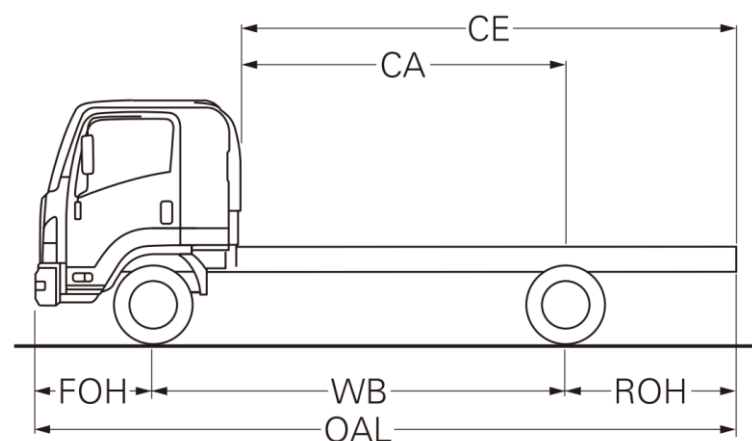
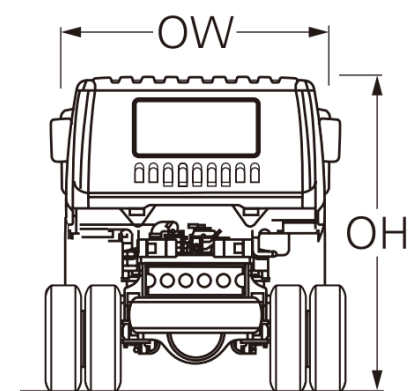
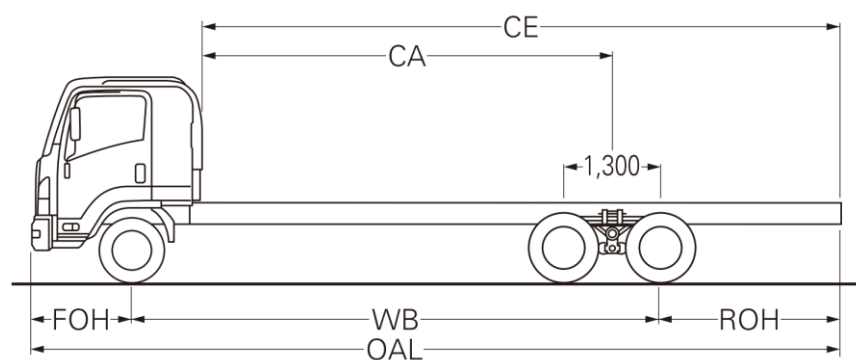
Dry Single Plate		
15	15	15
ZF9S1110 TO	ZF9S1110 TO	MZW6P
17.5	17.5	15.5
6.429	6.429	5.571
Full Air	Full Air	AOH
Wheel park	Wheel park	Center brake
Power Assist		
F063	F063	FD047
R210	R210	R092
FR Multi Leaf Suspension & RR Multi Leaf Suspension		
850mm Straight	850mm Straight	850mm Straight
295/80R22.5-152/148		9.00R-20-14PR
10STUD 22.5X8.25(165-13)		8STUD 20X6.50T (152-11)
200L	200L	200L



**DIMENSIONS**

Unit:mm

**FR / FV / FS / FT**



MODEL	FRR90M22	FRR90M2N	FRR90N22	FRR90Q22	FRR34N22	FSR34N22	FVR34L22	FVR34P22
REAR TIRE	Dual	Dual	Dual	Dual	Dual	Dual	Dual	Dual
TYPE	Cab Chassis	Cab Chassis	Cab Chassis	Cab Chassis	Cab Chassis	Cab Chassis	Cab Chassis	Cab Chassis
OAL	8035	8035	8315	8785	8315	8315	7775	8725
OW	2200	2200	2200	2220	2220	2220	2400	2400
AW (CAB)	1795	1795	1795	1795	1795	1800	1970	1970
CW	1660	1660	1660	1660	1660	1705	1850	1850
BW	2170	2170	2170	2170	2170	2240	2460	2460
FOH	1170	1170	1170	1170	1170	1170	1440	1440
WB	4660	4660	4860	5320	4860	4860	4250	5050
ROH (Frame end)	2045	2045	2125	2135	2125	2125	1865	2015
CA	4104	4104	3964	4764	3964	3964	3624	4424
CE	6149	6149	6089	6899	6089	6089	5489	6439
OH	2510	2510	2515	2510	2565	2605	2815	2815
FR Axle to cab end	556	556	896	556	896	896	626	626

Unit:mm

MODEL	FVR34Q22	FVR34L24	FVR34Q24	FVZ34P24	FVZ34R24	FVZ34P25	FVZ34R25	FTS34L22
REAR TIRE	Dual	Dual	Dual	Dual	Dual	Dual	Dual	Dual
TYPE	Cab Chassis	Cab Chassis	Cab Chassis	Cab Chassis	Cab Chassis	Cab Chassis	Cab Chassis	Cab Chassis
OAL	9475	7775	9475	7825	9540	7825	9540	7630
OW	2400	2400	2400	2400	2400	2400	2400	2400
AW	1970	1970	1970	1965	2965	1965	1965	1965
CW	1850	1850	1850	1850	1850	1850	1850	1790
BW	2460	2475	2475	2475	2475	2475	2475	2335
FOH	1440	1440	1440	1440	1440	1440	1440	1255
WB	5550	4250	5550	5060	5850	5060	5850	4250
ROH (Frame end)	2265	1865	2265	1325	2160	1325	2160	2125
CA	4924	3624	4924	4434	5224	4434	5224	3439
CE	7189	5489	7189	5539	7164	5539	7164	5339
OH	2815	2820	2820	2815	2820	2815	2820	2930
FR Axle to cab end	626	626	626	626	626	626	626	811

The photo doesn't reflect the actual dimensions of all the models

